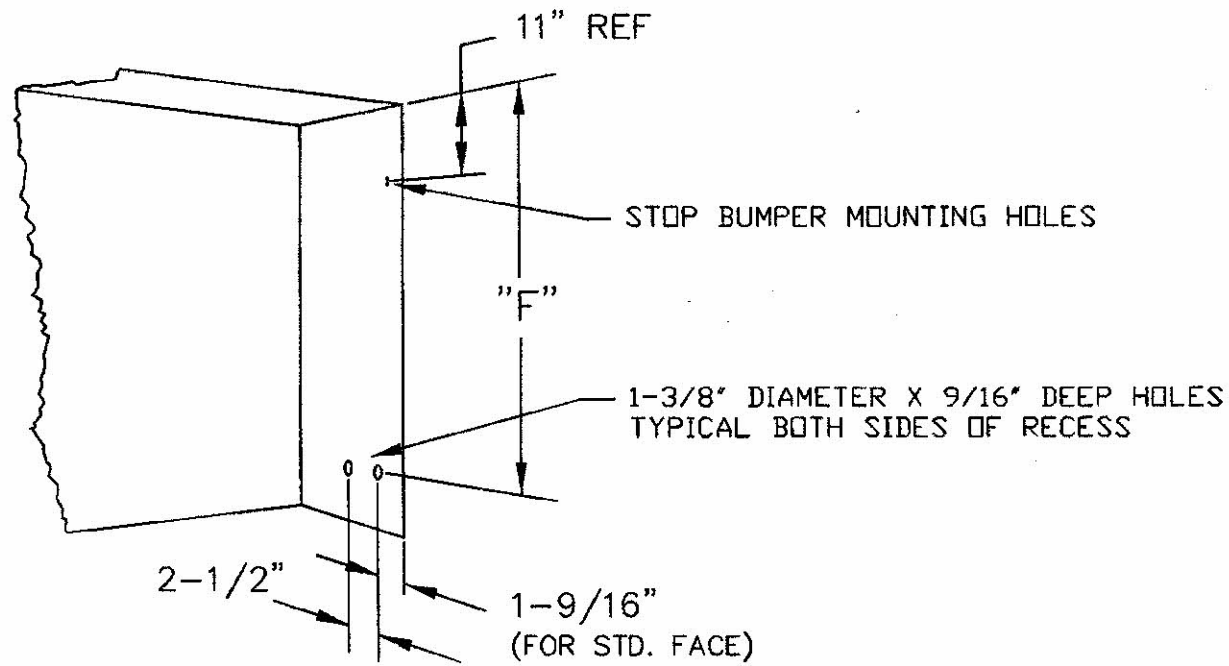


RECESS

Rendering # 71816-SF page 2 of 2

LOCATION OF TWO 1-3/8" DIA. X 9/16" DEEP HOLES AND STOP BUMPER MOUNTING

(see installation booklet for complete instructions and template)



READ INSTALLATION INSTRUCTIONS CAREFULLY BEFORE BEGINING ANY INSTALLATION PROCEDURES.

FlyingBeds.com **Denver, Colorado**
 303 333-3052 888 892-4645
 5125 E. Stapleton Drive Denver, Colorado 80216

DRAWING TYPE	FINISH	H/A	TOLERANCES ARE NON-ACCUMULATIVE UNLESS OTHERWISE NOTED TOLERANCES AND SURFACE FINISHES ARE AS SHOWN UNLESS OTHERWISE NOTED ANGLES > 1° FRACTIONS > 1/32	DIMENSIONS ARE IN INCHES AND (MM'S)	SCALE	DRAWING NO.	REV	DATE
SOLID	NONE	PC			NONE	71816-SF	B	2 of 2
COPYRIGHT © FLYING BEDS DO NOT SCALE DRAWING			EUROBED SIDEFOLD SPECIFICATION DRAWING					